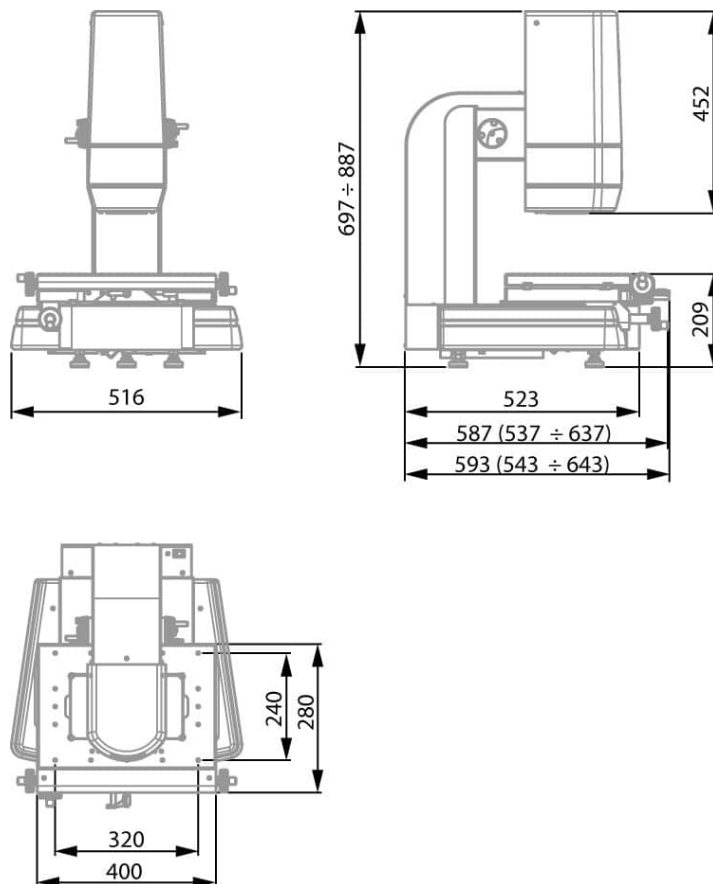


VISIO 200 V3



	902-2210	902-2211
EAN	7640125699708	7640125694895
Measuring volume (mm)	200x100x150	
X, Y Accuracy (E1, X, Y) (µm)	$1.9 + 10L/1000 (L = \text{mm})^{1/3}$	
XY Accuracy (E2, XY) (µm)	$2.4 + 10L/1000 (L = \text{mm})^{1/3}$	
Z Accuracy (E1, Z) ² (µm)	$2.9 + 10L/1000 (L = \text{mm})$	
Resolution (mm)	0.001	
Max. load capacity (kg)	10	
Magnification (screen 23.8")	24x – 144x (12x – 288x with additional lenses)	
Zoom	Manuel 4x	Motorised 6x
Weight	98	
International standards	EN61000-6-2, EN61000-6-4, EN61326-1, EN12100-1, EN12100-2	

¹ m ≤ 5 kg

² mechanical accuracy

³ at glass plate level