



More information on the website
radwag.com/en/info,w1,1DE

WLC 20.X7 Precision Balance



WLC 20.X7 Precision Balance

The drawings, photos and graphics used are for illustrative purposes only.

Functions



Autotest



Dosing



Percent Weighing



Parts counting



Peak hold



Formulation



Newton unit
measurement



Statistics



Checkweighing



IR sensors



Under-pan weighing



GLP Procedures



Animal weighing



Density determination



Ambient conditions
monitoring



Replaceable unit



Statistical Quality Control



ALIBI Memory



Mass for titrator



Wi-Fi

Datasheet

	WLC 20.X7 Precision Balance
Metrological parameters	
Maximum capacity [Max]	20 kg
Readability [d]	0,1 g
Verification unit [e]	-
Tare range	-20 kg
Repeatability	0,1 g
Linearity	±0,3 g
Stabilization time	3 s
Adjustment	external
Physical parameters	
Leveling system	manual
Display	7" graphic colour touchscreen
Weighing pan dimensions	195×195 mm
Packaging dimensions	430×270×190 mm
Net weight	2,2 kg
Gross weight	3 kg
Construction	
Protection class	IP 43
Components and software	
Database capacity	7
Communication interface	
Communication interface	2×RS232 ¹ , USB-A, USB-B, Ethernet, Wi-Fi
Electrical parameters	
Power supply	Adapter: 100 – 240V AC 50/60Hz 0,6A; 12V DC 1,2A Balance: 10 – 15VDC 0,6A max
Environmental conditions	
Operating temperature	+10 ÷ +40 °C

Repeatability is expressed as a standard deviation from 10 weighing cycles. Stabilization time depends on the ambient conditions and the dynamics of weighing pan loading; specified for FAST profile. 1 Barcode scanners, available as weighing instrument accessory, communicate with the instrument via RS232 interface exclusively.

* Wi-Fi® is a registered trademark of Wi-Fi® Alliance.



Accessories

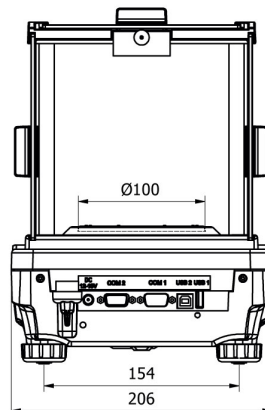
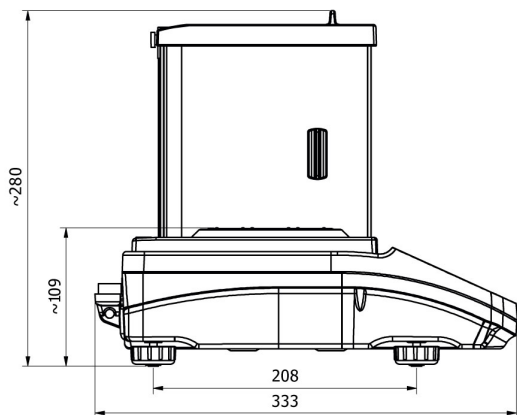
Balance Storage Case
Antivibration Tables
Power Adapters
RS 232 cables (scale - printer)
Cigarette lighter receptacle power supply cables
USB cable (scale - printer)
Barcode scanners
Under-pan weighing

RS 232, RS 485 cables
Density determination KIT
Displays
Receipt Printer
RS 232, RS 485 cables
Protective cover for balances
RS 232 cables (scale - printer)
RS 232 – RS 485 Converter

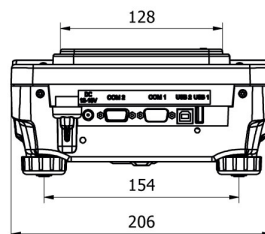
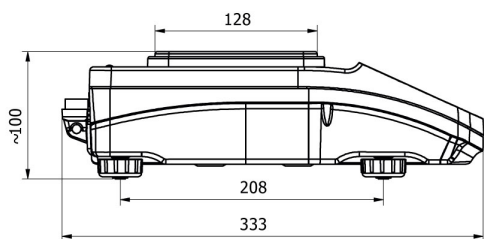
Software

Device dimensions

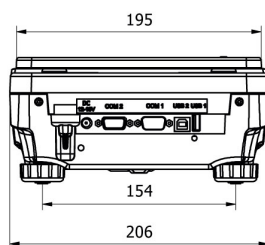
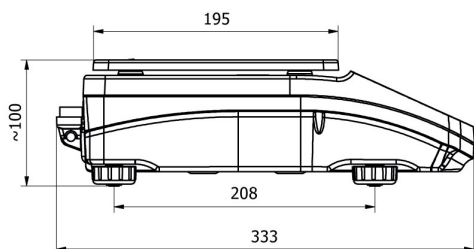
WLC 20.X7 Precision Balance



WLC X2, d = 0.001 mg



WLC X2, d = 0.01 mg



WLC X2, d = 0.1 mg