



Depth gauge

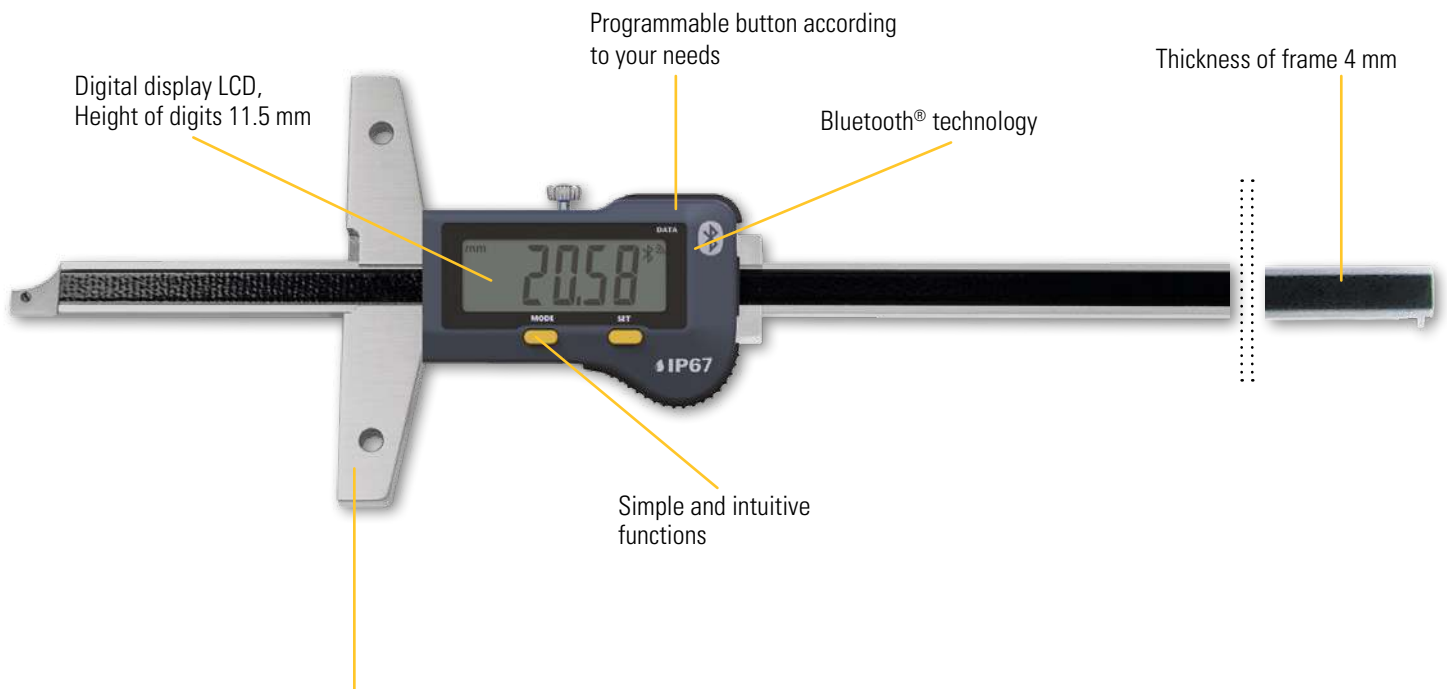
S_Depth EVO

DESCRIPTION

SHORTCUT MEASURING FACE

- High-quality, ergonomic depth gauge with integrated Bluetooth® system
- 100 mm wide bridge with holes for the attachment of an additional wider bridge
- Short measuring key 5 mm wide
- Hardened and ground stainless steel frame, thickness 4 mm
- New extra-large display unit with 11.5 mm high digits
- Convenient push button for sending data that can also be programmed with another function
- Memorising the home position even when the instrument is switched off
- Measuring range 300, 400 and 600 mm
- Protection class IP67

C



ISO 13385-2

Bridge of 100mm



IP67

* SIS description on page 5

Bridge of 100mm with clamping screw

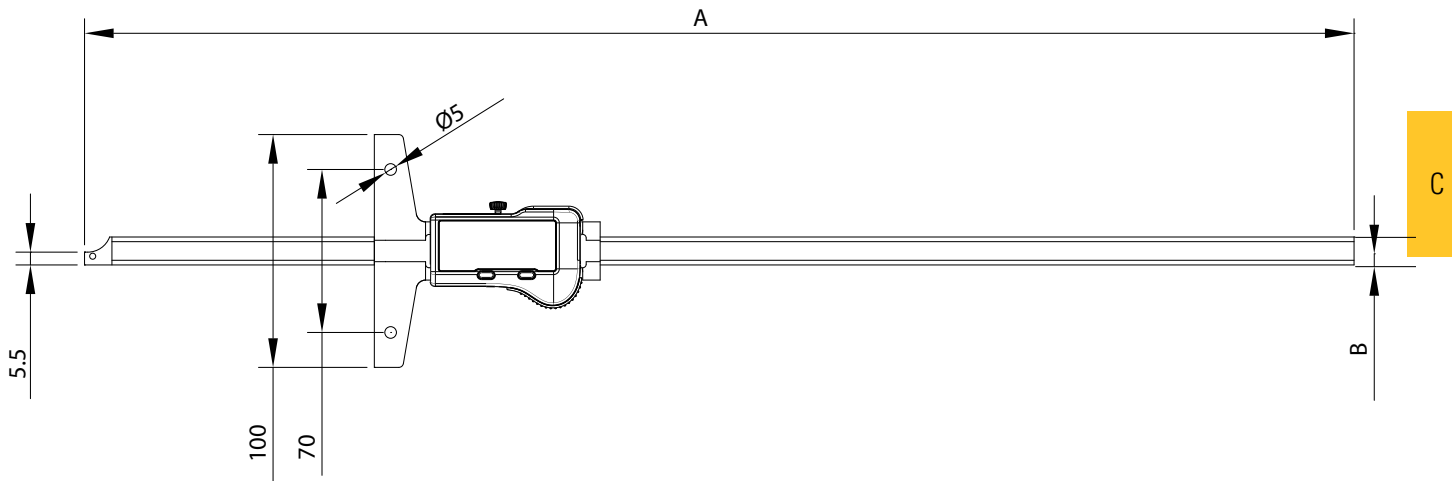


Depth gauge

S_Depth EVO

DIMENSIONAL DRAWING

SHORTCUT MEASURING FACE



TECHNICAL SPECIFICATIONS

		812-1611	812-1613	812-1615
Measuring range	mm	200	300	500
Max. Error	µm	30	30	50
Resolution	mm	0.01		
A	mm	300	400	600
B	mm	12x4		
Output data		Bluetooth® wireless technology*		
Functions		Zero setting, Preset (max 999.99), mm/inch, Hold, Data		
Smart Inductive Sensor		●		

* Up to 8 instruments connected per dongle #981-7100