

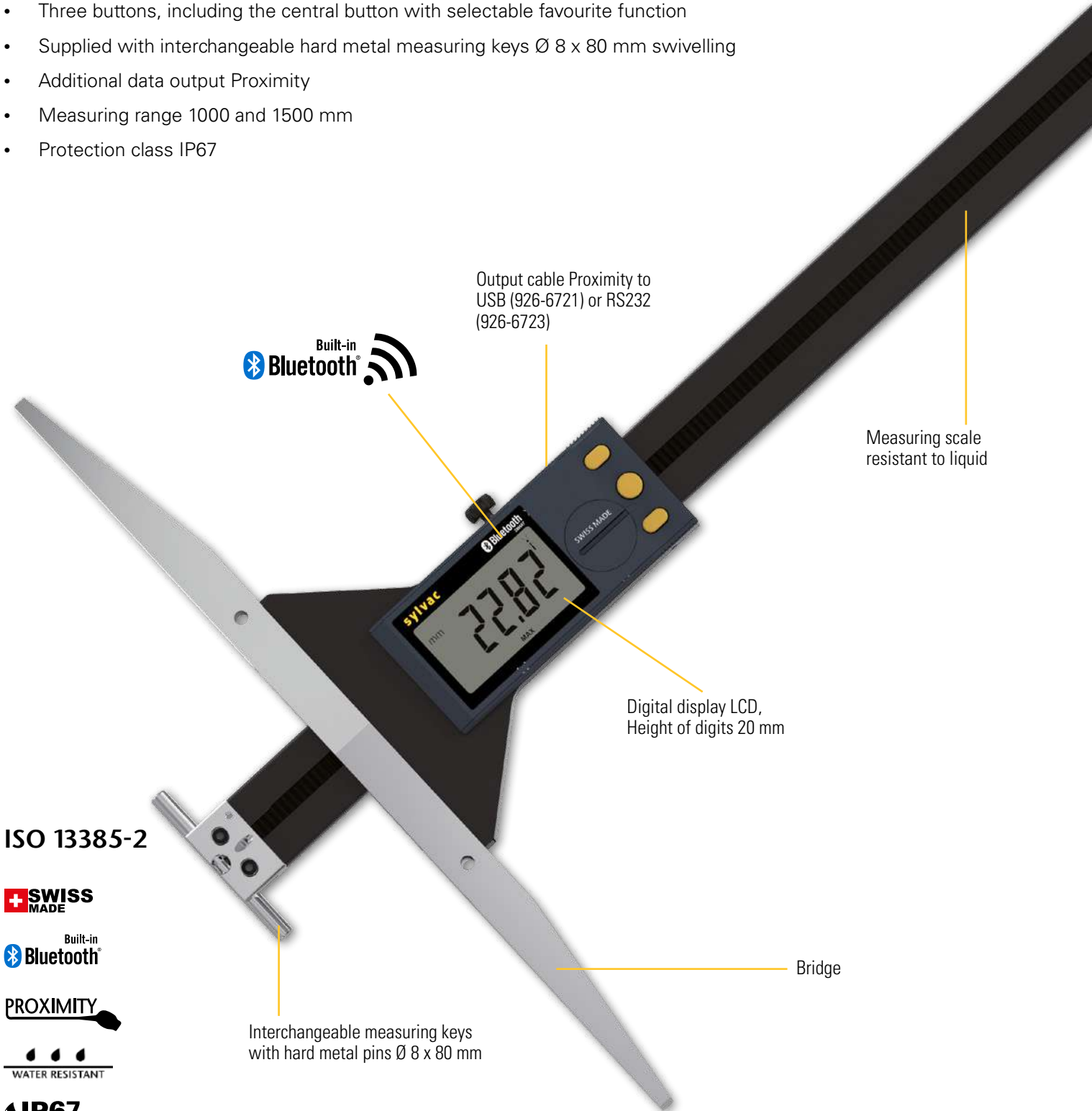
Ultra light depth gauge

UL V4

DESCRIPTION

- Large, ultra-lightweight depth gauge with integrated Bluetooth® system
- Frame made of special aluminium profile reinforced with 4 stainless steel guide rods
- Bridge width 400/600 mm with holes for the attachment of an additional wider bridge
- New XXL display unit with digits 20 mm high
- Three buttons, including the central button with selectable favourite function
- Supplied with interchangeable hard metal measuring keys Ø 8 x 80 mm swivelling
- Additional data output Proximity
- Measuring range 1000 and 1500 mm
- Protection class IP67

C



Output cable Proximity to USB (926-6721) or RS232 (926-6723)

Built-in Bluetooth

Measuring scale resistant to liquid

Digital display LCD, Height of digits 20 mm

ISO 13385-2

SWISS MADE

Built-in Bluetooth

PROXIMITY

WATER RESISTANT

IP67

Interchangeable measuring keys with hard metal pins Ø 8 x 80 mm

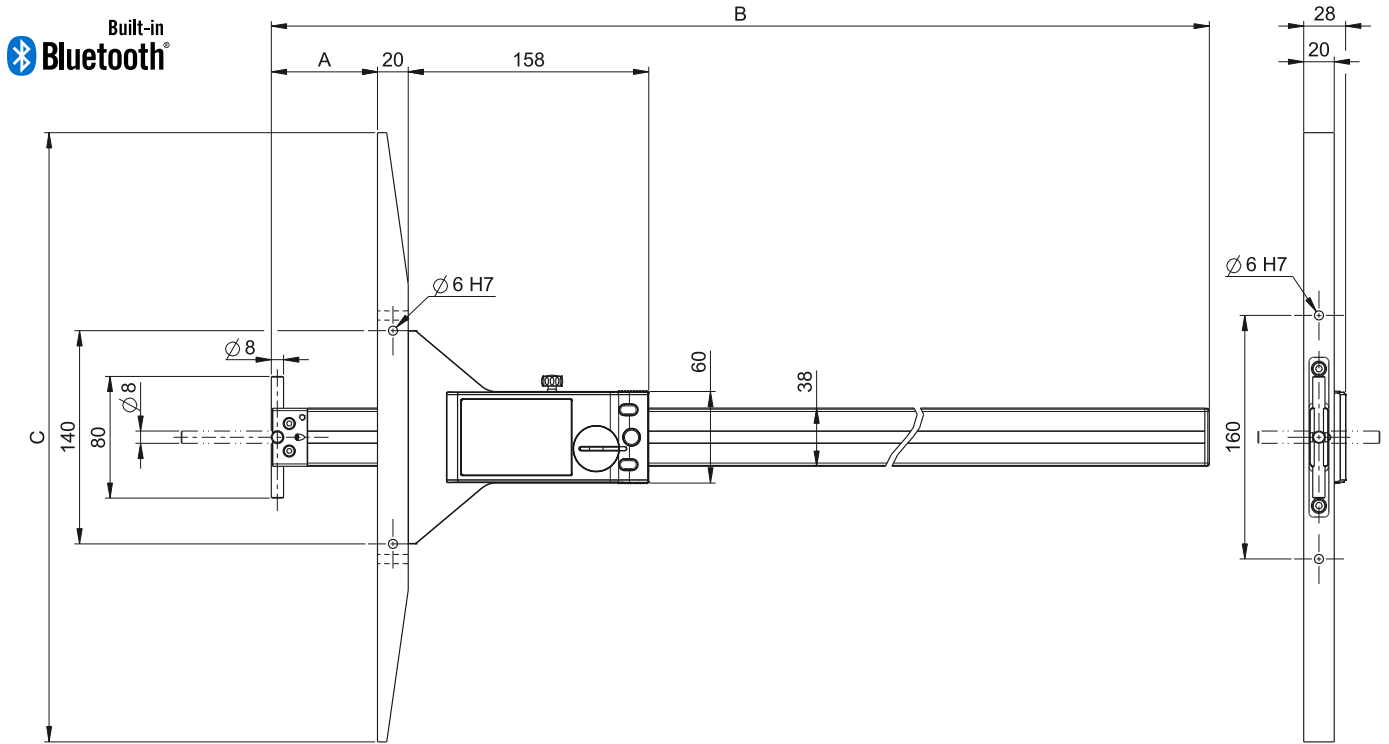
Bridge



Ultra light depth gauge

UL V4

DIMENSIONAL DRAWING



TECHNICAL SPECIFICATIONS

| | | 811-6100 | 811-6150 |
|----------------------------|----|---|----------|
| Model | mm | 1000 | 1500 |
| Max.Error | µm | 100 | 130 |
| Repeatability | µm | 20 | |
| Resolution | mm | 0.01 | |
| A | mm | 0 - 1030 | 0 - 1545 |
| C | mm | 400 | 600 |
| B | mm | 1242 | 1757 |
| Output data | | Bluetooth® wireless technology* / RS232 / USB | |
| IP67 Protection | | ● | |
| Preset max. | | ±9999.99 mm / ±399.9995 IN | |
| Weight | kg | 2.2 | 3.16 |
| Setting by PC | | ● | |
| 2 references | | ● | |
| Min/Max function | | ● | |
| Tolerance limit indicators | | ● | |

*** Up to 8 instruments connected per dongle #981-7100**